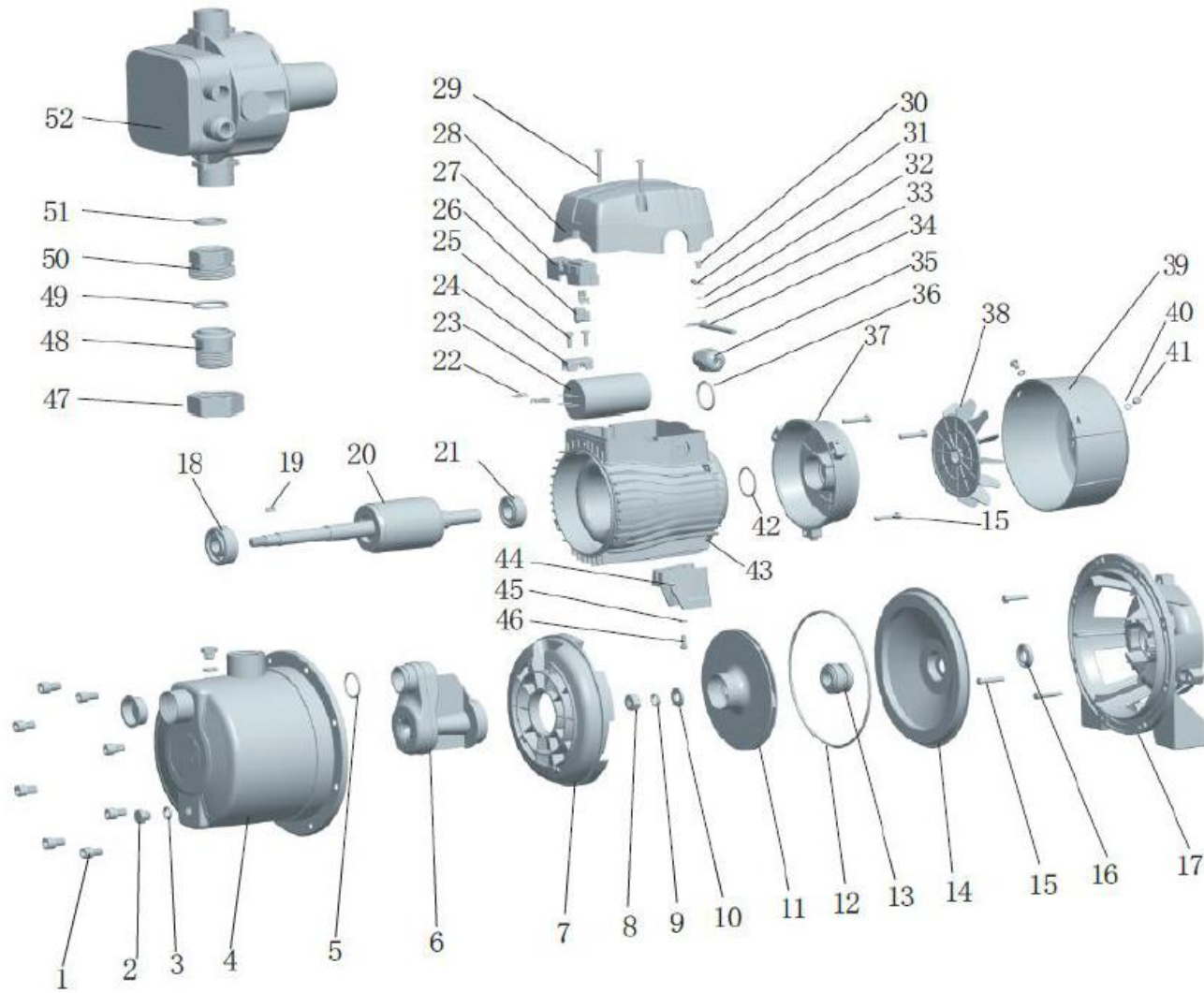


PARTS DRAWING FOR BIA-INOX90S2M



802802 BIA-INOX9052M						802802 BIA-INOX9052M							
Item	Quant.	Pronto	Item No.	Description	In Contact with Water	Material	Item	Quant.	Pronto	Item No.	Description	In Contact with Water	Material
1	8		804111	BIA-INOX9052-1		SS 201	27	1	804085	BIA-INOX9052-27	TERMINAL BOARD		PC
2	2		804110	BIA-INOX9052-2	YES	BRASS	28	1	804084	BIA-INOX9052-28	TERMINAL BOX COVER		PC/ABS
3	2		804109	BIA-INOX9052-3	YES	NBR	29	4	804083	BIA-INOX9052-29	SCREW SELF TAPPING M4*32		SS 304
4	1		804108	BIA-INOX9052-4	YES	SS 304	30	1	804082	BIA-INOX9052-30	SCREW SELF TAPPING M4*8		SS 304
5	1		804107	BIA-INOX9052-5	YES	NBR	31	1	804081	BIA-INOX9052-31	END TERMINAL 4.2D		
6	1		804106	BIA-INOX9052-6	YES	PPO-GF30	32	1	804080	BIA-INOX9052-32	WASHER D4		65MN STEEL
7	1		804105	BIA-INOX9052-7	YES	PPO-GF30	33	1	804079	BIA-INOX9052-33	WASHER LOCK D4		Q235
8	1		804104	BIA-INOX9052-8	YES	SS 304	34	1	804078	BIA-INOX9052-34	CABLE 3G1 *2.35 H05 PP		NEOPRENE
9	1		804103	BIA-INOX9052-9	YES	SS 304	35	1	804077	BIA-INOX9052-35	CABLE GLAND		
10	1		804102	BIA-INOX9052-10	YES	SS 304	36	1	804076	BIA-INOX9052-36	ORING 40*3.1		NBR
11	1		804101	BIA-INOX9052-11	YES	SS 304	37	1	804075	BIA-INOX9052-37	END PLATE		ZL102
12	1		804100	BIA-INOX9052-12	YES	NBR	38	1	804074	BIA-INOX9052-38	FAN		PP-GF10
13	1		804099	BIA-INOX9052-13	YES	CARBON/CERAMIC/SS 304/NBR	39	1	804073	BIA-INOX9052-39	FAN COVER		PP-GF10
14	1		804098	BIA-INOX9052-14	YES	SS 304	40	1	804072	BIA-INOX9052-40	WASHER FLAT 4*8*0.8		SS 304
15	3		804097	BIA-INOX9052-15		STEEL	41	3	804071	BIA-INOX9052-41	SCREWS CROSS RECESSED PAN HEAD M4*6		SS 201
16	1		804096	BIA-INOX9052-16		NBR	42	3	804070	BIA-INOX9052-42	SPRING WASHER D35		65MN STEEL
17	1		804095	BIA-INOX9052-17		ALUMINIUM	43	1	804069	BIA-INOX9052-43	MOTOR HOUSING		
18	1		804094	BIA-INOX9052-18			44	1	804068	BIA-INOX9052-44	BRACKET		PA6 GF25
19	1		804093	BIA-INOX9052-19	YES	SS 304	45	1	804067	BIA-INOX9052-45	WASHER D4		C35
20	1		804092	BIA-INOX9052-20	YES	SS 304	46	1	804066	BIA-INOX9052-46	BOLT M4*8		C35
21	1		804091	BIA-INOX9052-21			47	1		WHI-UNIONMPCXSS	UNION M/F TO SUIT MPCX	YES	SS 304
22	1		804090	BIA-INOX9052-22		H62	48	1		WHI-UNIONMPCXSS	UNION M/F TO SUIT MPCX	YES	SS 304
23	1		804089	BIA-INOX9052-23			49	1		WHI-UNIONMPCXSS	UNION M/F TO SUIT MPCX	YES	SS 304
24	1		804088	BIA-INOX9052-24		PC+ABS	50	1		WHI-UNIONMPCXSS	UNION M/F TO SUIT MPCX	YES	SS 304
25	1		804087	BIA-INOX9052-25		SS 304	51	1		WHI-UNIONMPCXSS	UNION M/F TO SUIT MPCX	YES	SS 304
26	1		804086	BIA-INOX9052-26			52	1	711942	WHI-SK20PPHS2	ELECTRONIC CONTROLLER	YES	APPROVED